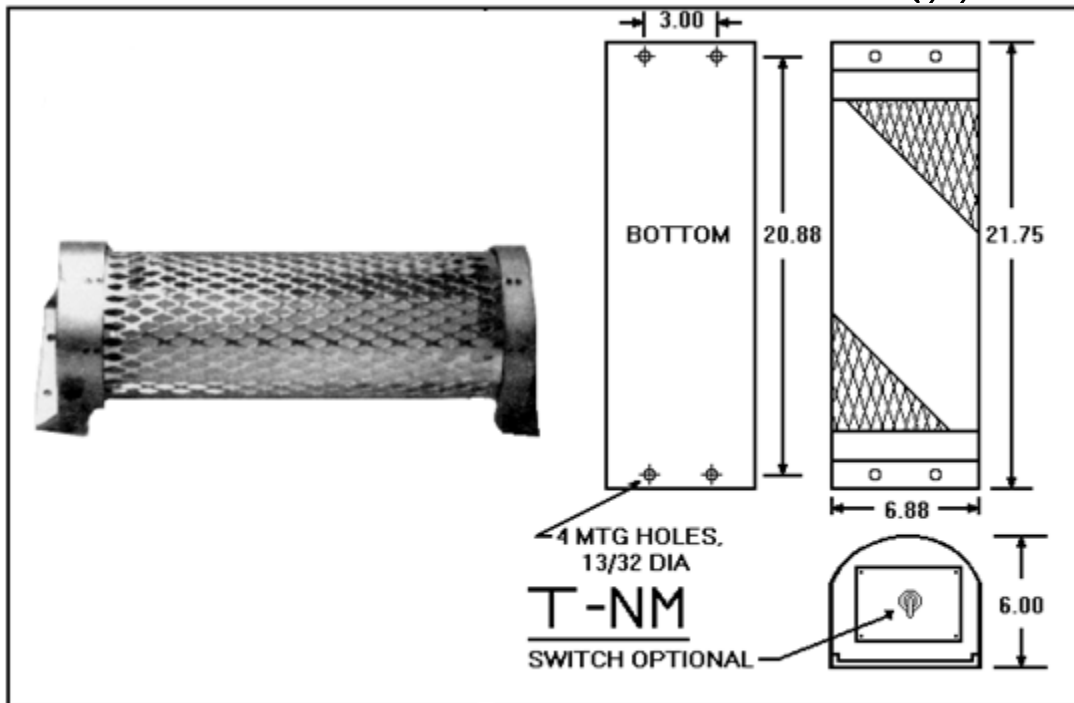


CONVECTION HEATER

TNM Turret

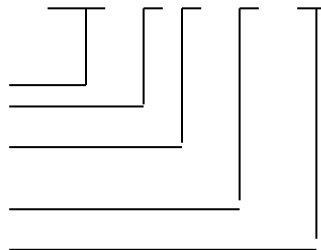
(I/A/W mil-H-22663/ships)



HOW TO ORDER:

TNM 1 1 - 1 - SW

Basic Model
Voltage 115VAC
Wattage level 0.5KW
(see chart)
Phase (1)
Switch optional



Heater Includes:

- Terminal Block, cable connector
- On/Off Switch (Optional)
- Operating thermostat (TH) (Optional)

Construction:

- Cast aluminum end caps
- Aluminum grill
- Aluminum reflector
- 304 Stainless Steel Sheath Heating Elements
- Hermetically Sealed Heating Elements

WATTAGE/VOLTAGE CHART

MODEL	VAC	WATTAGE	PHASE
TNM11-1	115	0.5KW	1
TNM12-1	115	1.0KW	1
TNM21-1	200	0.5KW	1
TNM22-1	220	1.0KW	1
TNM41-1	440	0.5KW	1
TNM42-1	440	1.0KW	1

Note: Optional On/Off Switch / Operating Thermostat and Auto Hi-Limit available in front mounted Terminal Box.

Unit is completely fabricated from aluminum for non-magnetic applications.

Unit is manufactured to I/A/W US Navy/military specifications.

Note: When ordering, specify exact measurements needed from the ranges indicated below.

Voltage 110-480 VAC (DC available)

Phase 1 or 3

Cycle 50/60Hz

Weight 0.5KW – 7.5 lbs

1.0KW – 8 lbs



www.ValadElectric.com

Phone: (888)509-4927

Email: info@valadelectric.com